

## wall mounting socket outlet

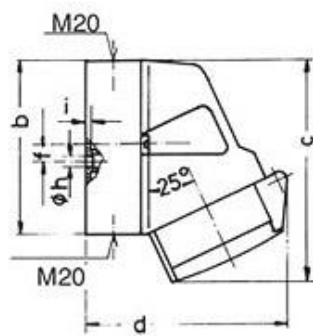
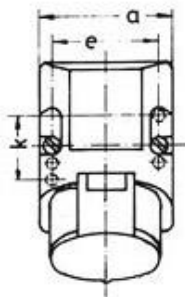


Product description	
BALS-Prd.-Nr	11302
EAN	4024941113021
Product group	GT wall mounting socket outlet
Current	16A
Number of poles	3p
Arrangement of the phases	2P+PE
Earth 'clock' position	4 h
Voltage	100 up to 130V
Frequency	50 and 60Hz

Product description	
Protection degree	IP44
Colour code	yellow
Colour of appliance	Collar yellow, Hinged lid yellow, Housing bottom grey, Housing top grey
Connection design	screw terminal
Maximum conductor size	4,0 qmm
Cable entry	1x Top entry M20 1x Bottom entry M20
Dimension of enclosure	87x64 mm (HxW)
Material of enclosure	Polyamide
Contacts	The contact carrier is made of polyamide, The contacts are brass

Logistics data	
Weight/pcs	0.195 kg / piece
Packaging	bag
Content amount	1 ST
EAN	4024941113021
Length	410 mm
Width	285 mm
Weight	0.195 kg
Packaging	carton
Content amount	10 ST
EAN	4024941967938

Logistics data	
Length	258 mm
Width	183 mm
Height	212 mm
Weight	2.102 kg
Volume	8,750 ccm



Amperes Poles	16		
	3	4	5
a	64	75	75
b	87	100	100
c	117	129	131
d	103	108	116
e	51	59	59
f	-	11	11
h	4.1	5.1	5.1
i	4.5	4.5	4.5
k	40	-	-
Conductor mm <sup>2</sup> min	1.5	1.5	1.5
Conductor mm <sup>2</sup> max	4	4	4