

## wall mounting socket outlet



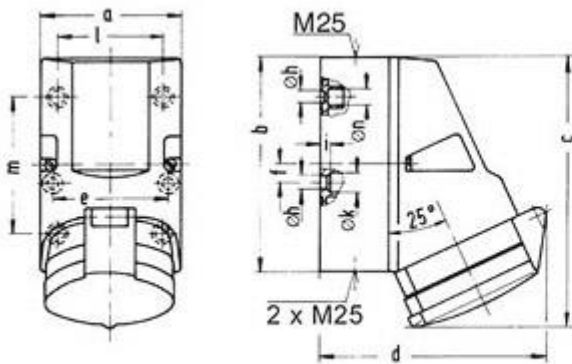
Product description	
BALS-Prd.-Nr	11312
EAN	4024941113120
Product group	Wall mounting socket outlet
Current	32A
Number of poles	3p
Arrangement of the phases	2P+PE
Earth 'clock' position	6 h
Voltage	200 up to 250V
Frequency	50 and 60Hz

Product description	
Protection degree	IP44
Colour code	blue
Colour of appliance	Hinged lid blue, Housing bottom grey, Housing top grey, Collar grey
Connection design	screw terminal
Maximum conductor size	10,0 qmm
Cable entry	1x Top entry M25 2x Bottom entry M25
Dimension of enclosure	126x83 mm (HxW)
Material of enclosure	Polyamide
Contacts	The contact carrier is made of polyamide, The contacts are brass

Additional technical information	
	The cable entry is one at top open and two at bottom closed
	Lower part of housing rotatable by 180°
	4 cut out fixing holes in the lower part of housing

Logistics data	
Weight/pcs	0.37 kg / piece
Packaging	carton
Content amount	10 ST
EAN	4024941864831
Length	330 mm

Logistics data	
Width	216 mm
Height	260 mm
Weight	3.926 kg
Volume	17,062.5 ccm



Amperes Poles	<b>32</b>		
	3	4	5
a	83	83	83
b	126	126	126
c	155	155	155
d	130	130	136
e	68	68	68
f	11	11	11
ø h	5.5	5.5	5.5
i	6.5	6.5	6.5
ø k	12	12	12
l	65	65	65
m	80	80	80
ø n	10	10	10
Conductor mm <sup>2</sup> min	2.5	2.5	2.5
Conductor mm <sup>2</sup> max	10	10	10