



## ACOLOED500

Colossus HO LED Floodlight - 500W Daylight



## Features

Die-cast aluminium luminaire with symmetrical light distribution

High output, high efficiency floodlight

Suitable for large external sports or industrial applications

500W exceeds the performance of 1000W HQI

Supplied with remote mounted control gear in an IP65 enclosure

LED Lifespan L70 50,000 hours

Non-dimmable

## General Information

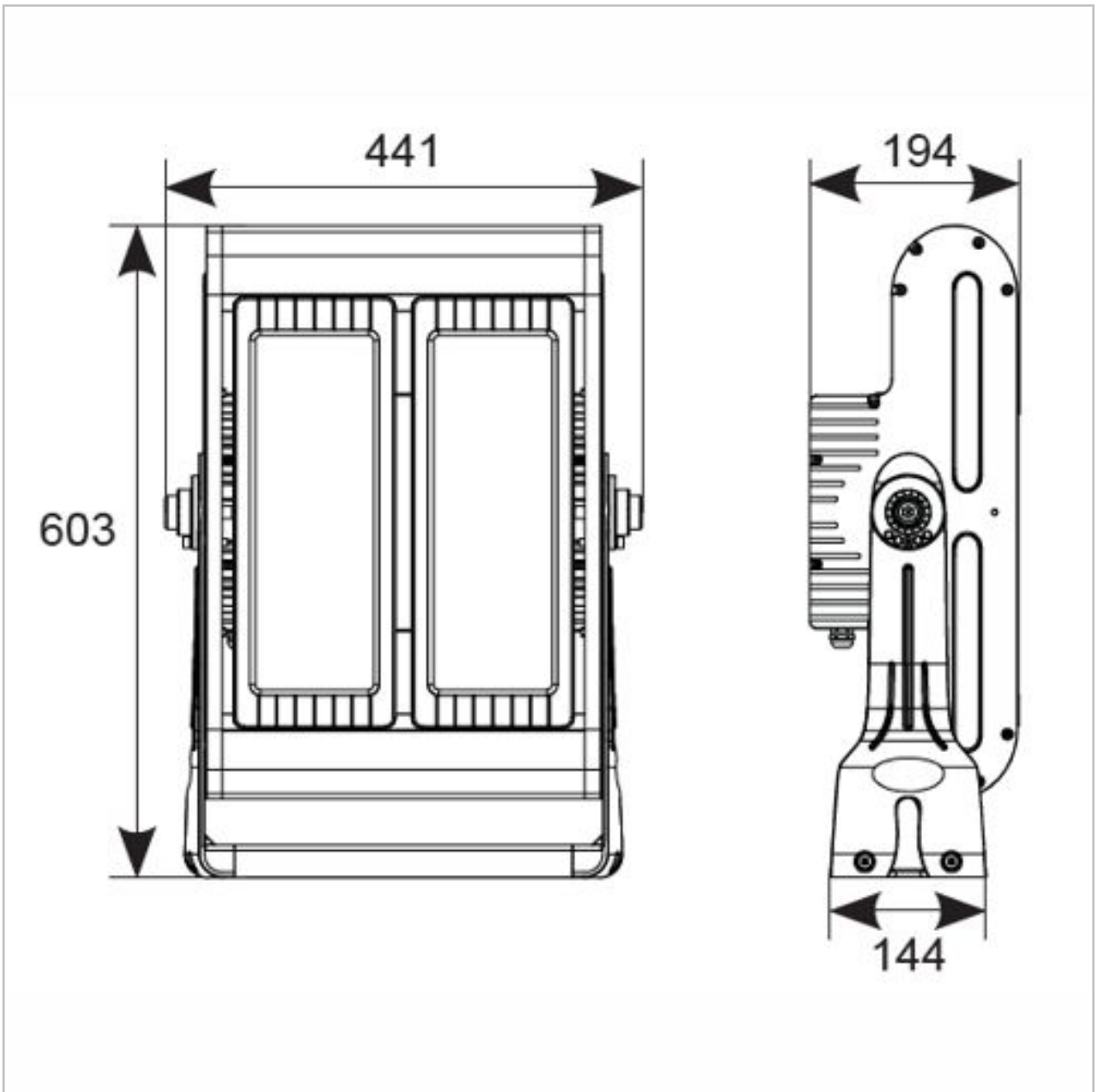
Lamp Type	LED
Colour / Finish	Black
IP Rating	IP65
IK Rating	IK08
Class Protection	1
Internal / External	External
Surface / Recessed / Suspended	Surface
Warranty (Years)	5
CE Mark	Yes
Width (mm)	441
Height (mm)	603
Depth (mm)	194

## Technical Information

Wattage	500W
Lumens Delivered	66489lm
Lm/W	133lm
Beam Angle	60
CRI	70
CCT	5000K
Input	100/240V
Hertz	50/60Hz
Operating Temp	-40°C to 40°C

## Technical Data - ETIM - Downlight/spot/floodlight (EC001744)

Suitable for surface mounting	Yes
Suitable for built-in mounting	No
Suitable for wall mounting	Yes
Suitable for suspended mounting	No
Suitable for ceiling mounting	No
Suitable for traverse mounting	No
Suitable for pedestal/floor mounting	Yes
Suitable for light-track mounting	No
Adjustability	Swivelling
With movement sensor	No
With light sensor	No
Colour housing	Black
Control gear included	Yes
Degree of protection (IP)	IP65
Protection class	I
Max. system power	500 W
Colour of light	White
Colour temperature	5000-5000 K
Colour rendering index CRI	70-79
Rated luminous flux acc. IEC 62722-2-1	66489 lm
Lamp efficacy	133 lm/W
Width	194 mm
Height/depth	603 mm
Length	441 mm



Datasheet generated from <https://www.electrika.com> last updated Monday, November 4, 2019 1:52:39 PM